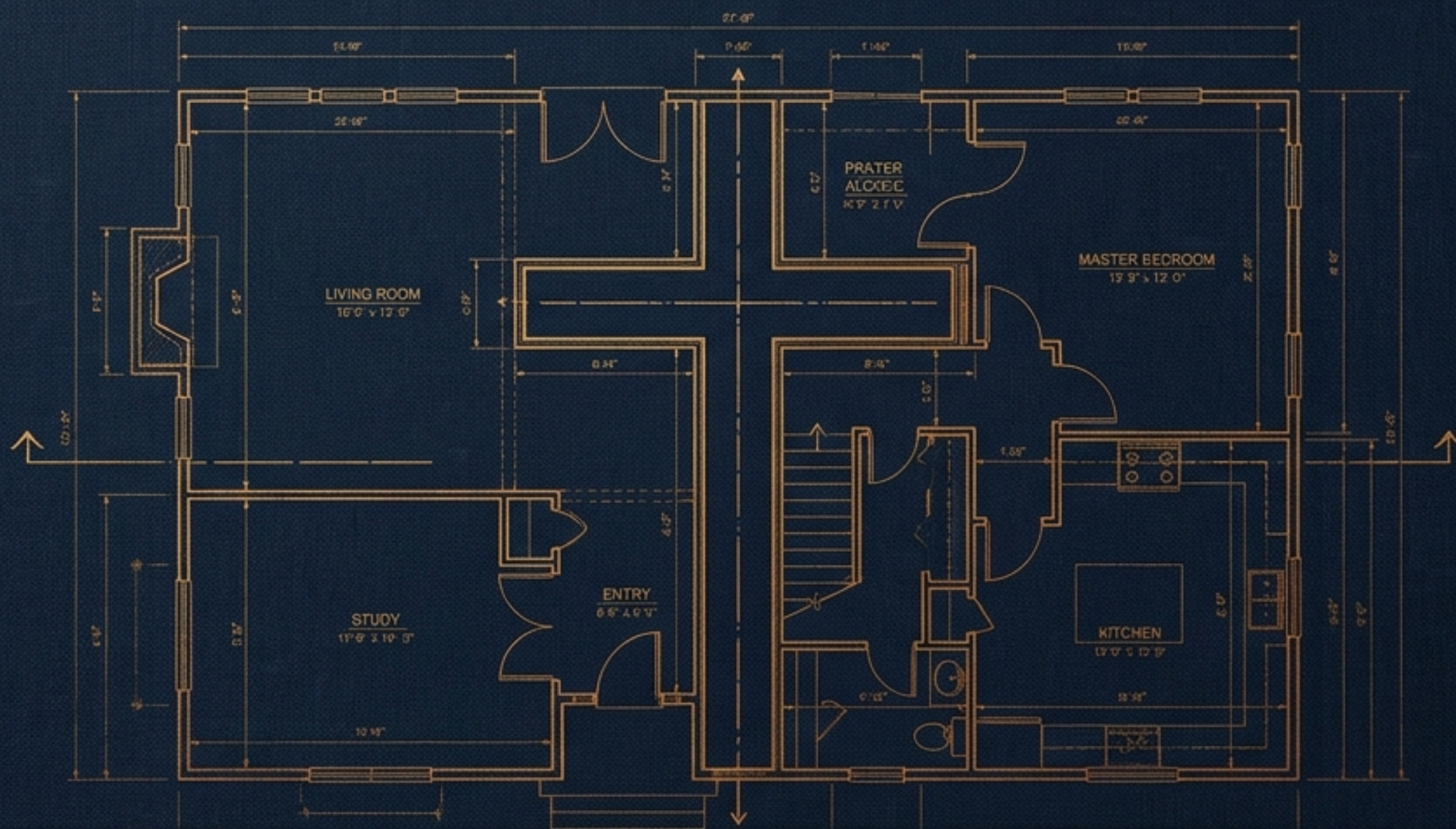


# The Living Blueprint for Spiritual Fatherhood

Translating ancient biblical mentorship into a practical mandate for the modern family.

Based on the pastoral teachings from 2 Timothy 1.

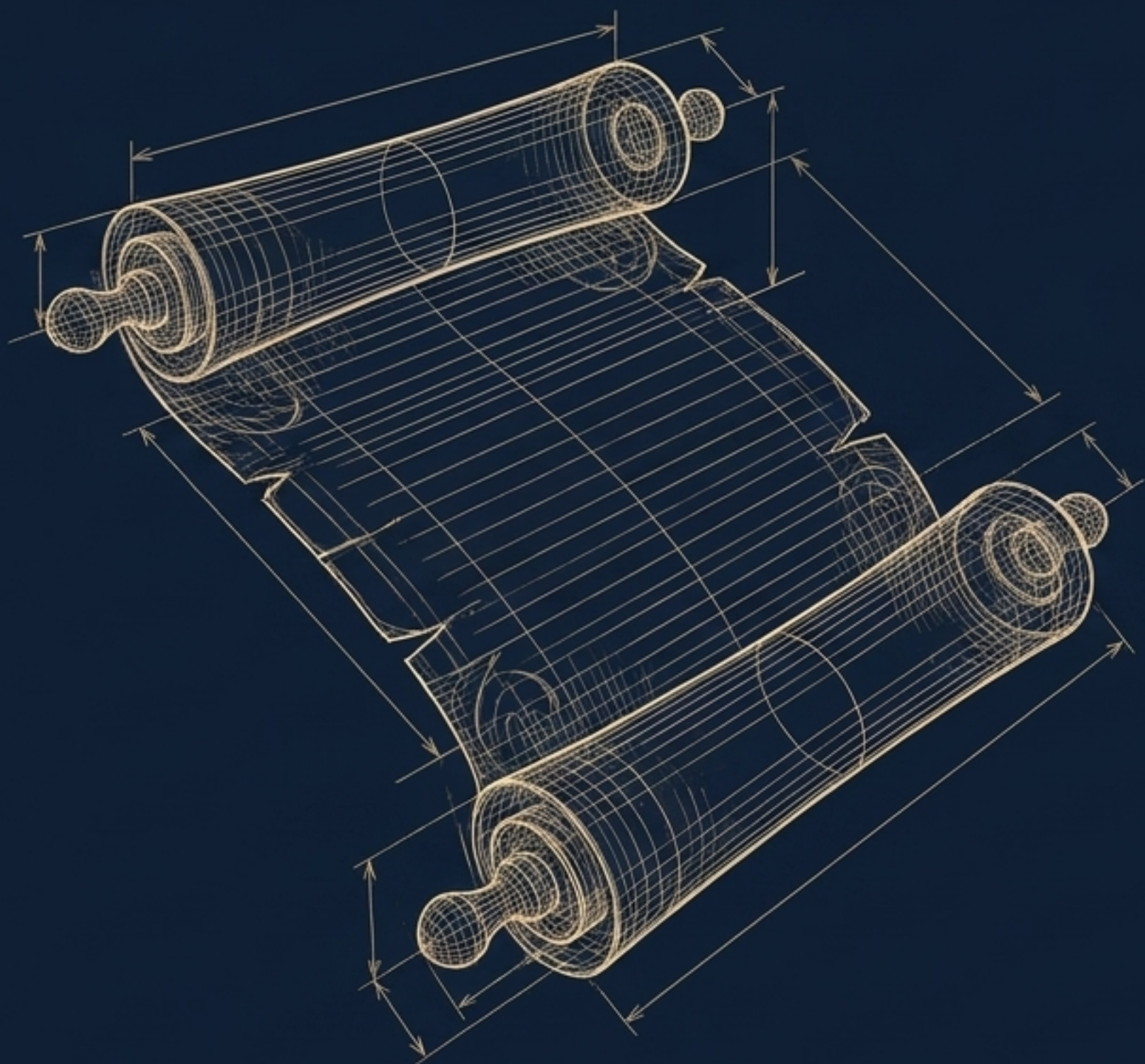


# The Unseen Influence of Fatherhood

“A good father is one of the most unsung, unpraised, unnoticed, and yet one of the most valuable assets in our society.” — Billy Graham



The Bible contains God’s explicit template for family and fathers. To understand this pathway to godly parenting, we must first examine an ancient, successful blueprint: the relationship between the Apostle Paul and his spiritual son, Timothy.



# An Ancient Case Study in Spiritual Mentorship

## The Context

Paul sent his closest friend and co-worker, Timothy, to lead the church in Ephesus. Facing turmoil and resistance, Timothy hit a wall of fear and discouragement. Paul wrote 2 Timothy to coach him back to confidence.

## The Blueprint Text

“Paul, an apostle of Christ Jesus by God’s will, for the sake of the promise of life in Christ Jesus: To Timothy, my dearly loved son. Grace, mercy, and peace from God the Father and Christ Jesus our Lord.” — 2 Timothy 1:1-2 (CSB)

# The Chain of Authority

## The Historical Blueprint



- Jewish leaders sent apostles
- Jesus appointed the 12 (Mark 3:13-15)
- Judas replaced by Matthias (Acts 1)
- Saul converted and appointed as Paul (Acts 9)

## The Modern Mirror



- Fathers are given authority not to rule, but to act as representatives who carry God's message to their household.

# The Message We Carry: The Promise of Life

## Spiritual Death to Turn

We turn from ourselves and  
our sins to follow Jesus.

Romans 6:4-11, Ephesians 2:4-5

## Raised to New Life

We are raised from spiritual  
death into a new, secure life  
with God. Jesus abolished  
death and brought life  
to light.

2 Timothy 1:10, John 10:28

## Indestructible Immortality

Jesus is the resurrection and  
the life. Upon His return,  
believers are raised into  
new, indestructible bodies  
to live forever.

John 11:25, 1 Corinthians 15:35-58

# The Mechanics of Spiritual Impartation

The Principle: Paul did not lead Timothy to saving faith initially (Acts 16), but he took him under his wing to mentor him. A spiritual father passes on the resources he receives.



The Blessing (2 Tim 1:2): “Grace, mercy, and peace from God the Father...”

The Paraphrase: “Timothy, I wish you all of God’s resources, help, protection, and love that flow from Jesus.” Fathers are conduits, not the source.

# The Fruit of Faithful Mentorship

## Paul's Inputs

- Mentorship
- Discipleship
- Grace, Mercy, Peace

“I became your father in Christ Jesus...  
Therefore, I urge you to imitate me...  
[Timothy] will remind you about my ways.”  
— 1 Corinthians 4:15-17

*Imitation*

## Timothy's Outputs - The Mirror Image

- Same character qualities
- Same message
- Same mission

**Takeaway:** Paul's immense impact on Timothy was positive, encouraging, and spiritually fruitful.

# The Earthly Father as a Spiritual Mirror

The Earthly Father  
(Spiritual Mirror)

Radiant Light Source  
(God the Father & Christ Jesus)

The Child  
(The Growing Faith)





**Core Concept:** Fathers do not have to generate the light; they only have to position themselves to reflect the Perfect Father in heaven to their children.

“Though children learn from what we say, they learn even more from who we are and what we do... Besides the Bible, the way we live our faith from day to day is the most important book our children will ever read.”

— Pastor Joel Beeke

# The Spiritual Fatherhood Diagnostic

Domain	The Internal Check	The External Action	The Desired Outcome
 <b>Identity</b> (Belonging)	Do I know for certain I am in Christ?	Resting in the confidence of salvation.	Children see a father secure in his faith.
 <b>Representation</b> (Ambassador)	Do I represent the will/ways of Christ?	Modeling the Christian faith daily.	Becoming the “most important book” our kids read.
 <b>Mission</b> (Prophet/Teacher)	Am I on mission for Jesus at home?	Daily Bible reading and praying by name.	Leading kids to the promise of life in Christ.
 <b>Affection</b> (Love/Sacrifice)	Do I want God’s very best for them?	Present, protective, life-giving words.	Kids know they are loved through visible action.

# What is God Actually Looking For?

## The Myth of Perfection

- God demands perfect parents.
- Children need us to be flawless.
- When we fail, we must pretend we didn't.



## The Mandate of Presence

- God looks for parents **on mission**.
- Children need us to be **present**.
- We give our time, prayers, and energy for their good, **pointing** them to the Perfect Father when we fall short.

# Presence Over Perfection

You are called to be the best pastor your children will ever have. Point them to the perfect Father in heaven, model the promise of life in Jesus Christ, and let His grace fill the gaps.

Let us pray for all the fathers. They are on a vital mission, and they need God's grace, mercy, and peace.

